



AUCTION

NATIONAL VELVET & HARD ANTLER COMPETITION

9th December, 2014

Contents

Lot 1 - Ulysses

Lot 2 - Zama

Lot 3 - Trilogy

Lot 4 - Air NZ Mystery Trip

Lot 5 - Rock Me

Lot 6 - Mayfield Magic

Lot 7 - Vukona

Lot 8 - Wairaurahiri Jet Boat Trip

Lot 9 - Harlem

Lot 10 - Norton II

Lot 11 - Whitebait (2kgs)

Lot 12 - The Prophet

Lot 13 - Ascot Emberz Dinner

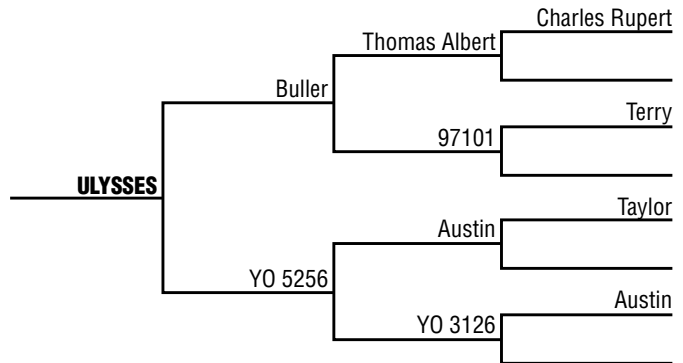
Lot 14 - Everest

Lot 15 - YB325

Lot 16 - Gibston Valley Gift Basket

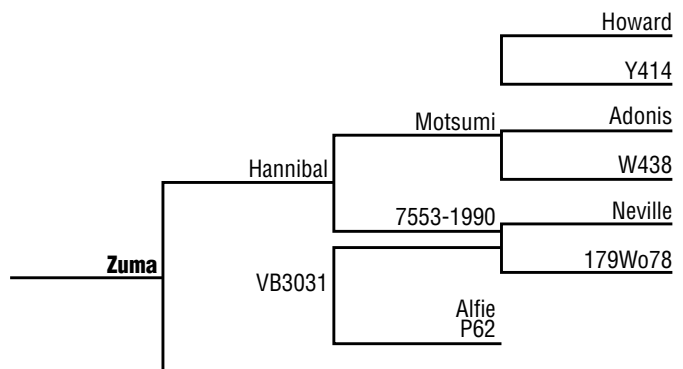
LOT 1

ULYSSES (9.30kgs SA @ 4yrs) - 5 Straws Arawata (John & Mel Somerville)



LOT 2

Zama (11.30kgs SAP @ 6yrs) - 5 Straws Brock Deer (Grand Champion 2012)

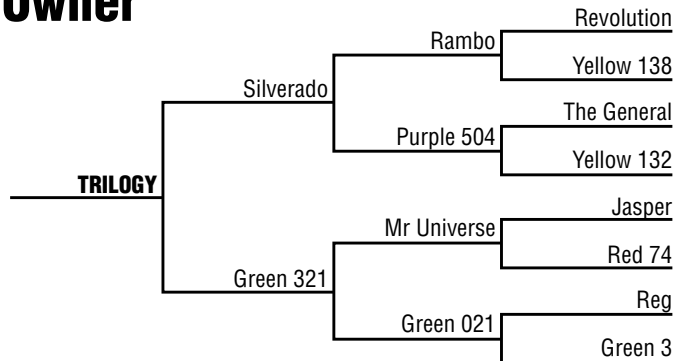


LOT 3

TRILOGY (25.5kgs E.W.S. @ 8yrs) - 5 Straws

Tikana

Paul Waller - Owner



LOT 4

Mystery Trip Via Air New Zealand

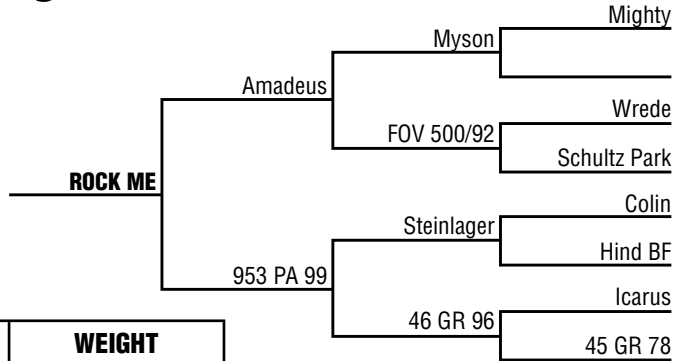
Donated by Janet Horrell - Valued at \$1000



LOT 5

Rock Me - 5 Straws (No E.T.)

Wilkins Farming



AGE	WEIGHT
Weaning Weight 23/0402102	74
February Weight (15 month)	148
2 year old Weight (9/1/2014)	244

LOT 6

Mayfield Magic (21.1kgs @ 7yrs) - 5 Straws

Mayfield Elk (Josh and Tom May, Winton)



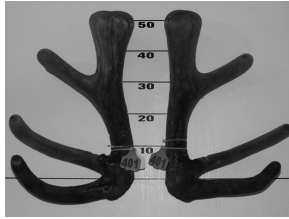
Mayfield Magic @ 5 yr in Hard Antler score 512 ioa. Heaviest Velvet cut 21 kg.

Growing into Antler this season 2014-15.

Estimate: 550 sci.

LOT 7

**Vukona (8.66kgs @ 4yrs) - 5 Straws
315kgs @ 4yrs Pure Eastern-Romanian
Maple Valley Deer (Peter & Dianne Allan)**



**2nd Place
National 4 YR
Comp 2013**

Winner Restricted Southland Open 2013

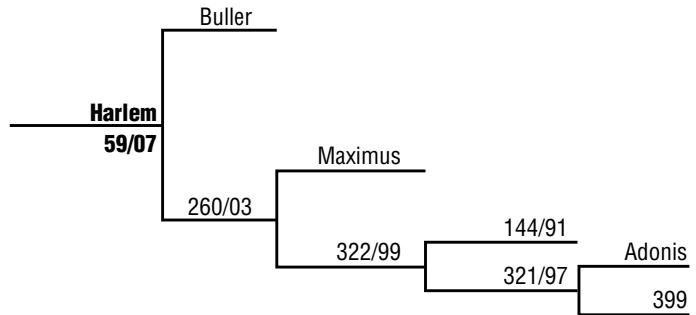
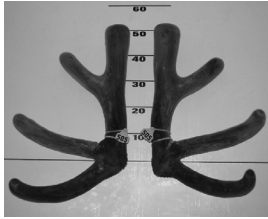
LOT 8

**Trip for 1 person on the Wairaurahiri Jet
Donated by Johan & Joyce Groters**



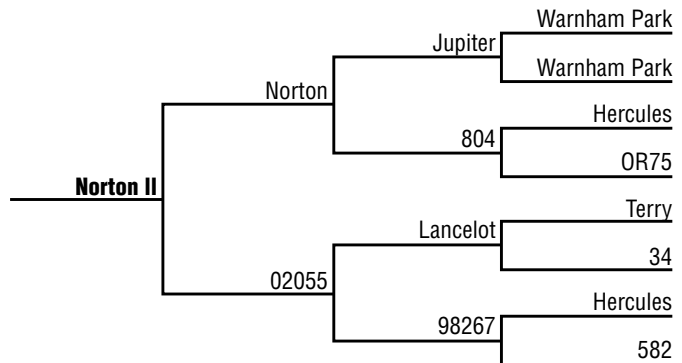
LOT 9

Harlem (8.88kgs @ 5yrs) - 3 Straws Winner of National 5 YR Section 2012 Netherdale (David & Lynley Stevens)



LOT 10

Norton II (673 IOA @ 7yrs) - 5 Straws Craig & Tracy Wilson



LOT 11

2kg Whitebait

Donated by Bruce & Jenny Paterson



LOT 12

The Prophet (10.5kgs S.A.P @ 9yrs) - 5 Straws

Lindsay Tayles



**Winner of Open Red Section
and
Grand Champion 2013**

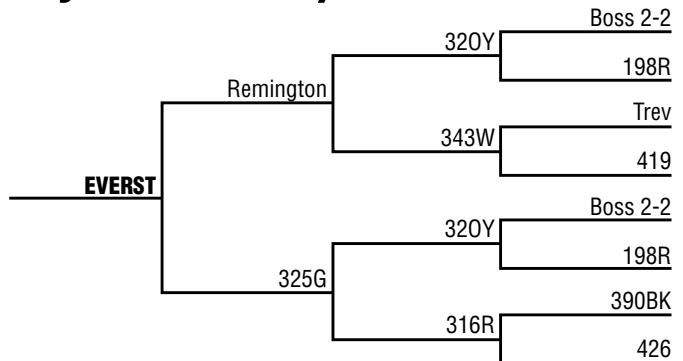
LOT 13

**Meal for two including a bottle of wine at
Ascot's Emberz Bar & Restaurant
Donated by The Ascot**



LOT 14

**EVEREST (12.25kgs S.A @ 9yrs) - 5 Straws
Altrive (Geoff & Lynette Elder)**

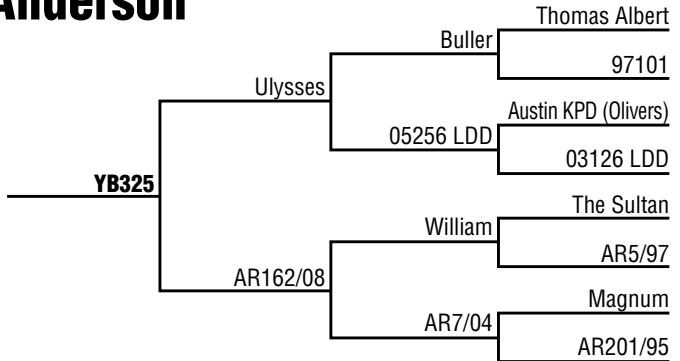


LOT 15

YB325 (6.45kgs S.A.2 @ 2yrs) - 5 Straws

Ex Arawata 2014

Todd & Fleur Anderson



LOT 16

Gibbston Valley Winery

Basket of Wine & Cheese etc

Gibbston Valley





