

# CANES DEER

*Quality Genetics*

Inaugural Hind Sale  
1pm Wednesday 20th June 2012



441 Plateau Road, Reporoa  
[malcolm@canesdeer.co.nz](mailto:malcolm@canesdeer.co.nz)   [www.canesdeer.co.nz](http://www.canesdeer.co.nz)

# Location

Canes Deer Farm is located at 441 Plateau Road, Reporoa. 40 minutes drive from Rotorua or 30 minutes from Taupo. Once you are on the Broadlands Road which runs between Reporoa and Taupo, take Strathmore or East Rd and travel to the end, where they join in a Y junction and run into Plateau Road. We are 4.4km from this Y junction on the left.



# Introduction

Welcome,

Isn't it great to finally see more stability in the deer industry? With venison in the \$7-\$9 range and velvet around \$100 (and looking more promising for next year), along with good demand for trophy stags and keen interest from trophy hunters for next year, our industry is looking better than it has in a long while.

We have held off offering hinds for sale until now to give you a chance to see the quality of the stags we are breeding and get to know some of our bloodlines. We trust that this has given you the confidence and desire to make some of these exciting genetics your own.

With Odysseus, Broadband and Matthew, we believe we have 3 of the highest scoring, most eye catching trophy sires in the industry. Odysseus was recently scored by Master measurer Hub Hall @ 702 IOA. He has unbelievable pass on factor and I'm confident his daughters will produce top trophy stags of the future.

There is on offer two embryos and one 3yr old hind mated to the only other 700+ IOA stag in the world, Davidson, owned by Broadleaf Trust. This is a real opportunity! Other sires such as Sir Edmund and Brusnik have been used in our breeding to add width and length and velvet production has not been forgotten, as with heavy beam comes heavy velvet.

Last season we sold 30 5/6yr old trophy stags, 20 of which scored over 400 IOA, and of these 7 were over 470" and 4 over 520" The young hinds we are offering here, are far superior to the dams of these trophies so the potential for the future is nothing but exciting.

*Kind Regards*

*Kathy and Malcolm Cane*

# Conditions of Sale

1. The sale will be conducted by PGG Wrightson with the conditions of sale as set down by the Stock and Stations Agents Association, a copy of which is exhibited in the office on sale day.
2. Each lot becomes the purchaser's property and risk at the fall of the hammer.
3. Warranties and Insurance are covered under separate headings.
4. Terms are strictly cash unless prior arrangements are made with the auctioneers. Accounts not paid within 14 days of sale shall bear interest, at current rate per annum from the date of sale.
5. The sale is conducted exclusive of GST.
6. A buyers commission of 4% is payable to non-participating companies and recognised independent agents introducing and accompanying purchasers to the sale providing prior arrangements [No later than 24hrs prior to sale] are made with PGG Wrightson.
7. Intending purchasers are required to register with the auctioneers prior to the commencement of the sale.
8. Delivery dockets must be signed, giving explicit transport, deVelveting and any insurance instructions.
9. All Deer held for purchaser's on the vendors property will be held at the owners risk.
10. Velveting of all stags (at owners risk) will be carried by the vendor prior to delivery unless requested otherwise (see clause 11) All velvet remains the property of the vendor.
11. Any buyers wanting antlers grown out must state this clearly on documentation and arrange with the vendor please.
12. No animals, embryos or semen sold by Canes Deer, or their germplasm, any subsequent progeny or germplasm, including the semen and germplasm of that progeny may be supplied to a third party without the written permission of the stud.
13. This condition does not affect normal commercial deer farming or stud farming or the normal sales of semen or embryos as it only applies to entities with the primary function of commercial semen/germplasm activities.
14. It is a condition of sale of any animals, embryos, germplasm or semen sold by Canes Deer that the purchaser agrees to include the following clause as a condition of any subsequent sale or gift of any animal, embryo, semen, germplasm or subsequent progeny or germplasm to a third party- "the purchaser acknowledges that it will not supply any animals, embryos, semen or germplasm to any commercial semen/germepiasm marketing or sales entity, and will ensure that this clause is inserted as a condition of any sale or gift of any animals, embryos, semen or germplasm."

Insurance

Pgg Wrightsons AON insurance available on the day.

TB Status

C10

Johnes Status

Partial herd tests, all negative, no cases on farm in 20 years.

# PGG Wrightsons Agents

<b>North Island Deer Specialists</b>		
Keith Burden (Hawkes Bay)	0275975801	keith.burden@xtra.co.nz
Cam Heggie (Waikato)	0275018182	cheggie@pggwrightson.co.nz
<b>South Island Deer Specialists</b>		
Ron Schroeder (Nth Canterbury) Marlb/West Coast	0274321299	rschroeder@pggwrightson.co.nz
Brian Newall (South Canterbury)	0275956448	bnewall@pggwrightson.co.nz
John Williams (Otago)	0272414179	jwilliams@pggwrightson.co.nz
Graham Kinsman (Deer Stud Co-ordinator)	0274223154	gkinsman@xtra.co.nz
Brian Duggan (Southland)	0274324212	bduggan3@xtra.co.nz
<b>Auctioners</b>		
John Duffy Central Otago	0272403841	jduffy@pggwrightson.co.nz
Neville Clark	0278612434	anchorfour@farmside.co.nz
<b>Independent agents</b>		
Bob Dunn	0274948716	jobdunn@xtra.co.nz
Peter Crowle	0272111490	pl.rlcrowle@vodafone.co.nz

## Disclaimer

All details and descriptions as to stock referred to in this catalogue have been supplied to PGG Wrightson by the vendor and have not been independently verified by PGG Wrightson. PGG Wrightson, its employees and agents make no representations or warranties or acknowledgement of any kind whatsoever in relation to any part of this catalogue [including but not limited to accuracy or completeness of details and descriptions of stock {and other contents}]

Purchasers, advisers and all other persons viewing or dealing with the stock must make their own assessment on the stock and the information in this catalogue.

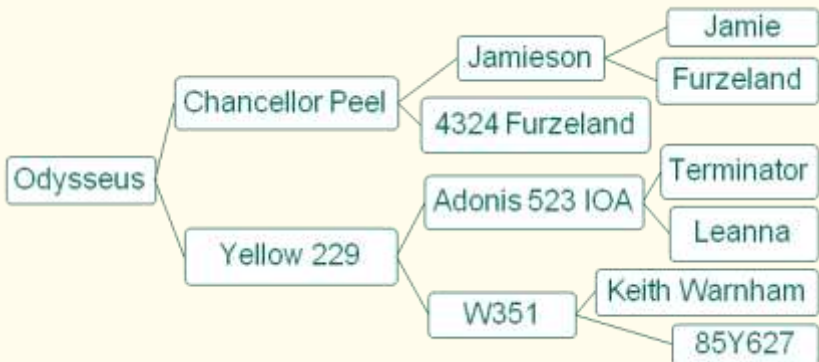
PGG Wrightson, its employees and agents are not responsible or liable in any way whatsoever, whether in contract, tort [including negligence], or otherwise, to any person for any loss or any damage whatsoever arising directly or indirectly from any information or misrepresentation included or omitted from this catalogue.

# Sire References

Odysseus  
Broadband  
Matthew  
Kane  
Adonis  
Balunky  
Sir Edmund  
Brusnik  
Davidson



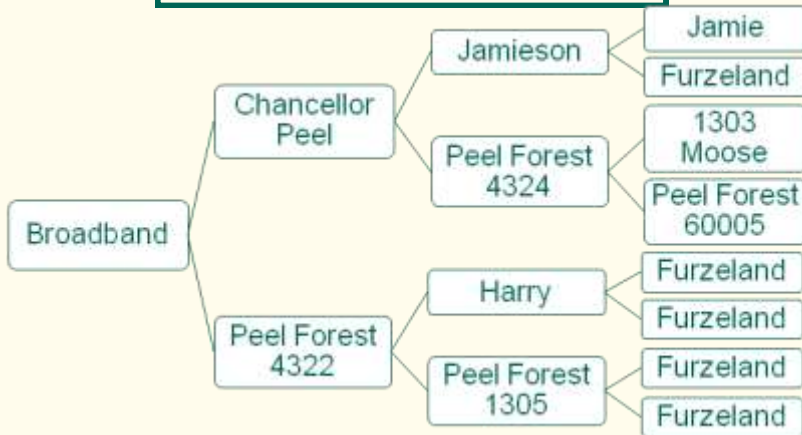
# Odysseus



Odysseus is currently our main sire. A good natured stag who we believe has the most attractive trophy style antler in the industry, and he is certainly passing this on. We are thrilled with his offspring and anyone serious about trophy genetics should consider his bloodlines. Royal tynes are exceptionally long, very strong in bey and trey and main beam length this year was 45/43"

Age	Points	Score	Span	
1 yr	11x15	26		
2 yr	14x15	29	355	
3 yr	21x19	40	461	
4 yr	17x17	34	484	
5 yr	18x17	35	529	
6 yr	19x21	40	603	
7 yr	18x21	40	638	30"
8 yr			617	30"
9 yr	18x22	40	702	31"

# Broadband

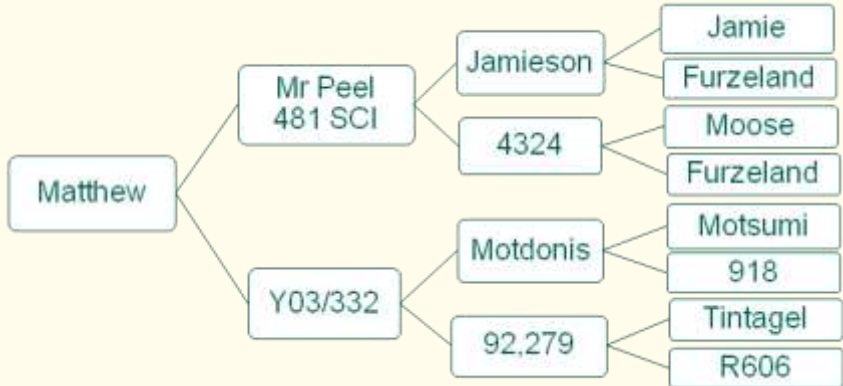


Broadband is a magnificent Pure Furzeland Chancellor Peel son sharefarmed by Canes Deer and this year he's been sold as a trophy. His span at 7yrs of 34" and spread of 62" are particularly wide for a Furzeland Stag making him a great option if you want to increase width in your herd. His multi pointed open tops score very well, and he

Age	Points	Score	Span	Spread
4 yr	36	468		
5 yr	38	503		
6 yr	38	509		
7 yr	37	552	34"	62"
8 yr	37	566		
9 yr	38	585		



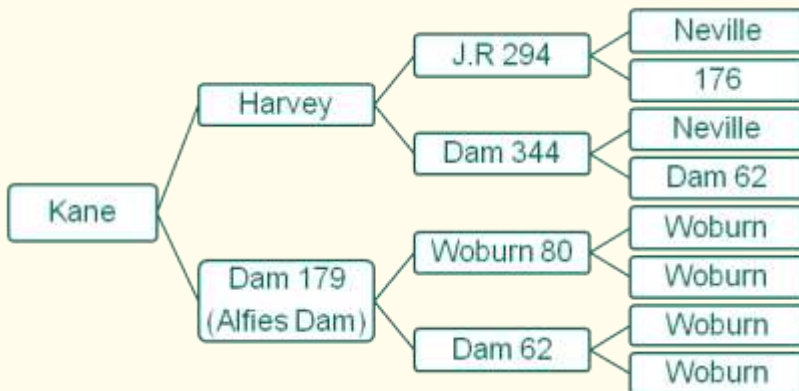
# Matthew



Matthew is a young stag with an impressive head. He certainly has the wow factor required by the trophy industry. An IOA score of 594 @ 5 yrs puts him up there with the best and we look forward to seeing what he does as he matures. We are picking he will reach 700 IOA.

Age	Points	Span	Score
2 yr	27		
3 yr			438
4 yr	42	30"	551
5 yr	39	31"	594

# Kane



We used Kane as our predominant sire between 2002 and 2004, and have since use him selectively in our AI programme, so we now have a good number of hinds with Kane in their background. His 5yr score of 544 was equal to the World Record SCI at the time. Kane has shown very solid heritability and his offspring show strong bey and trey development along with multi pointed tops.

Age	Points	Score
2 yr	33	375
3 yr		451
4 yr		503
5 yr	50	544
6 yr		569
10 yr		603

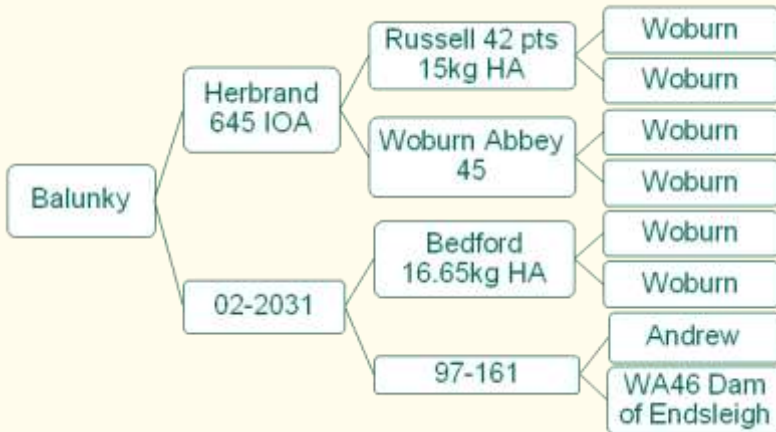
# Adonis



Adonis is a true industry legend, a former World Record SCI of 523 @ just 6 years old. Anyone serious about trophy genetics needs to have some Adonis blood in the mix.

Age	SCI
6 yr	523
World Record	

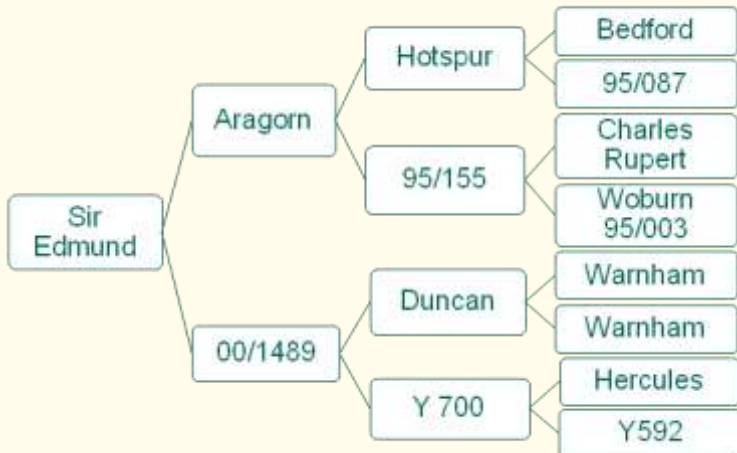
# Balunky



Balunky is one of Herbrand's top sons. He has produced some top progeny for us, featuring good strong beams with loads of points. His 7 yr old head was a big step up on last years, and he has been sold as a trophy stag this year.

Age	Points	Score
3 yr		388
4 yr		433
5 yr	40	525
6 yr		520
7 yr		579

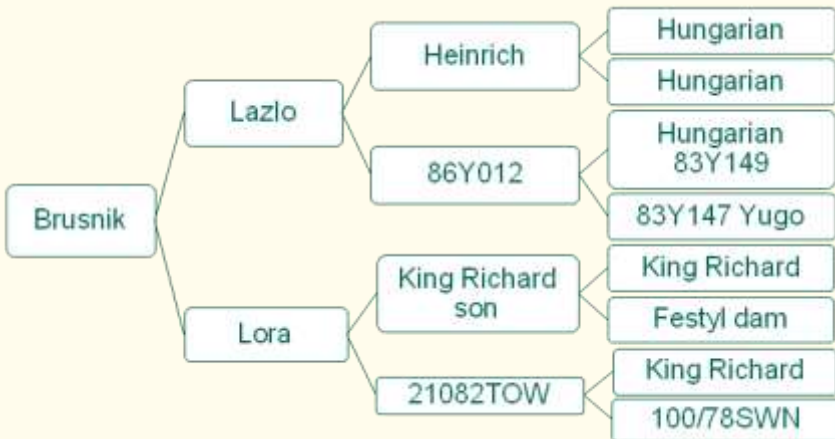
# Sir Edmund



We used Sir Edmund as I think he is one the best Pure Warnham stags ever produced by Stanfields, To utilise a 50" main beam length without the use of eastern blood was the main attraction.

Age	Score
6 yr	559

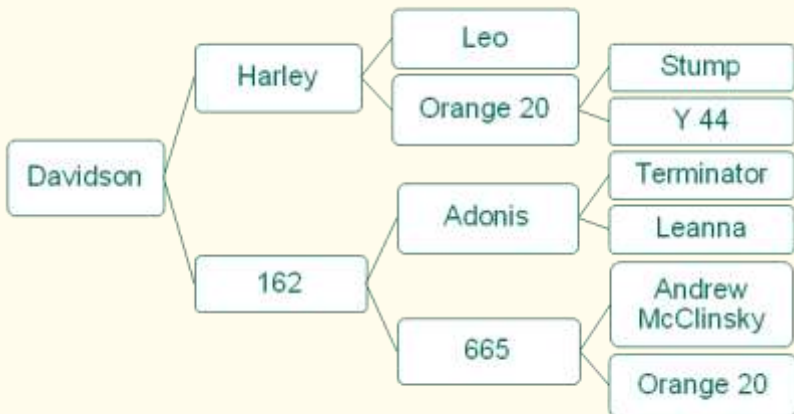
# Brusnik



One of the industries most outstanding sires, with his massive spread and royals. Brusnik has made an everlasting impression, with many of his son's scoring well into the 500's for IOA

Age	Live wt	HA wt	Points	Score
5 yr	270 kg	11.5 kg	29	460
6 yr	293 kg	11.2 kg	33	502
7 yr	308 kg	11.6 kg	29	482
8 yr	321 kg	12.6 kg	31	500
9 yr		13.4 kg	28	516
10 yr		13.2 kg	30	518
11 yr		Trophied		529

# Davidson



Davidson is a quiet high achiever, this year scoring a massive 751 IOA at just 7years. Owned by Broadleaf Trust, we are fortunate to be able to offer three of his offspring in our sale.

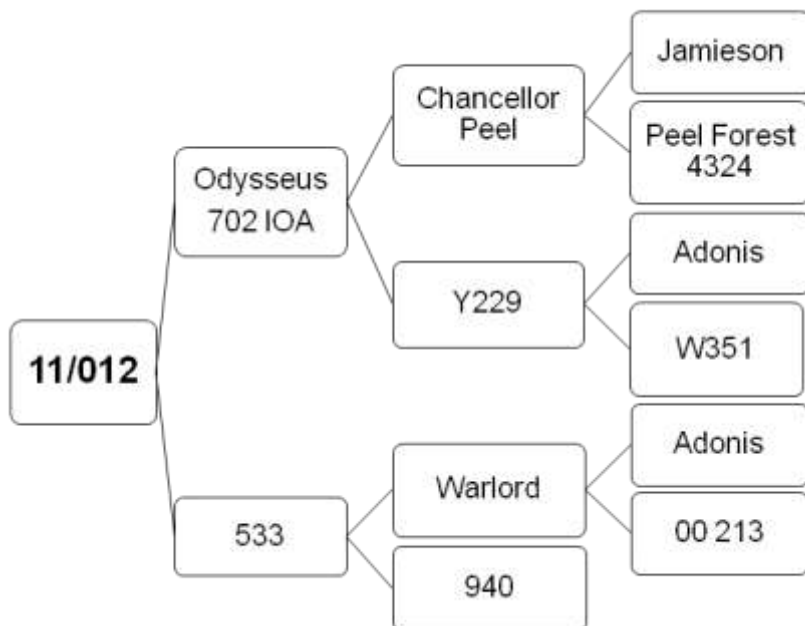
Age	Score IOA
6 yr	609
7 yr	751



Lot No 1  
Wnr hind

**CANES DEER**  
*Quality Genetics*

Tag No  
11/012



**Weight 28/5/12 69kg**

Hind 940 produced the top priced stag at Tower Farms in 2003. 533 has been an ET donor for us and two of her son's are in our top 2yr mob. Adonis influence both sides.

Purchaser:

Comments:

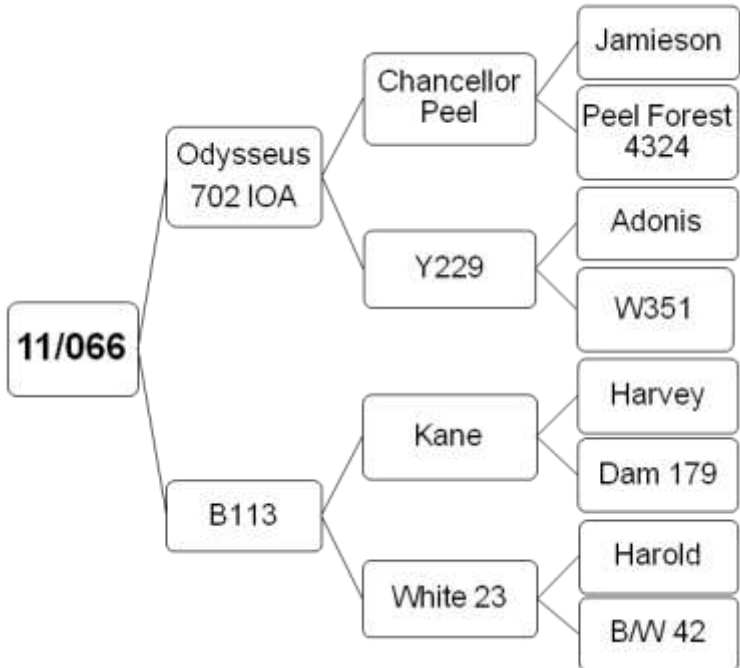
Price:



Lot No 2  
Wnr hind

**CANES DEER**  
*Quality Genetics*

Tag No  
11/066



**Weight 28/5/12 67 kg**

White 23 is the mother of Spartacus, 579 SCI with 50+ inch main beam length. B113 was the dam of 730 (Lot 14 in our 2012 stag sale) He had 28pts and SCI score close to 400 IOA @ 3 yrs.

Purchaser:

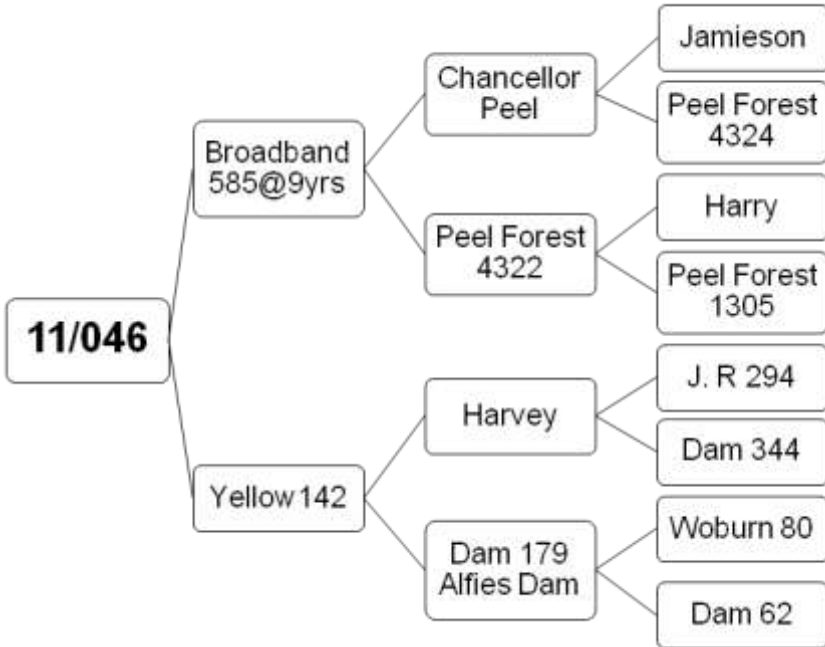
Comments:

Price:

Lot No 3  
Wnr hind

**CANES DEER**  
*Quality Genetics*

Tag No:  
11/046



**Weight 28/5/12 46 kg**

Y142 is a full sister to Kane 600IOA@10yrs. Y142's 2yr son last year by Odysseus was retained as a stud sire.

Purchaser:

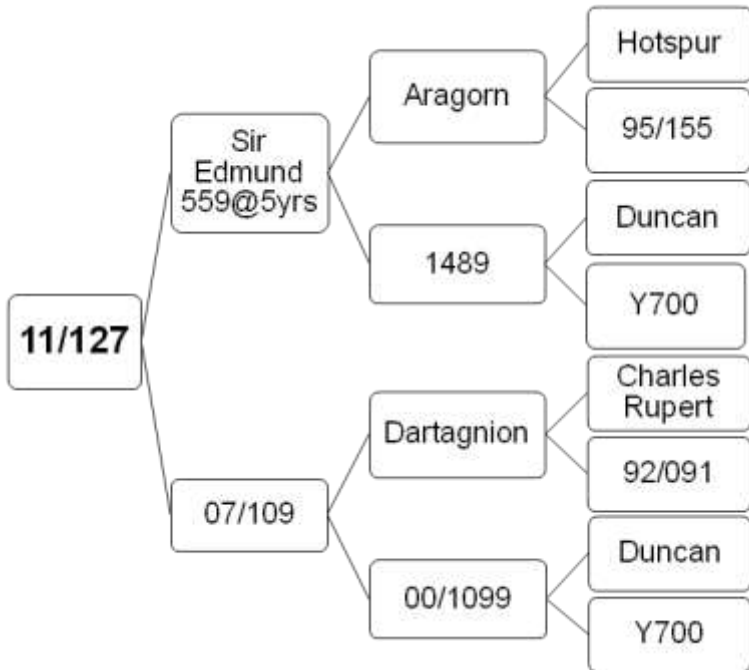
Comments:

Price:

Lot No 4  
Wnr hind

**CANES DEER**  
*Quality Genetics*

Tag No  
11/127



**Weight 28/5/12 57 kg**

109 is a full sister to Mountbatten. With Dartagnions width and Sir Edmunds length this is a seriously good pure Warnham hind.

Purchaser:

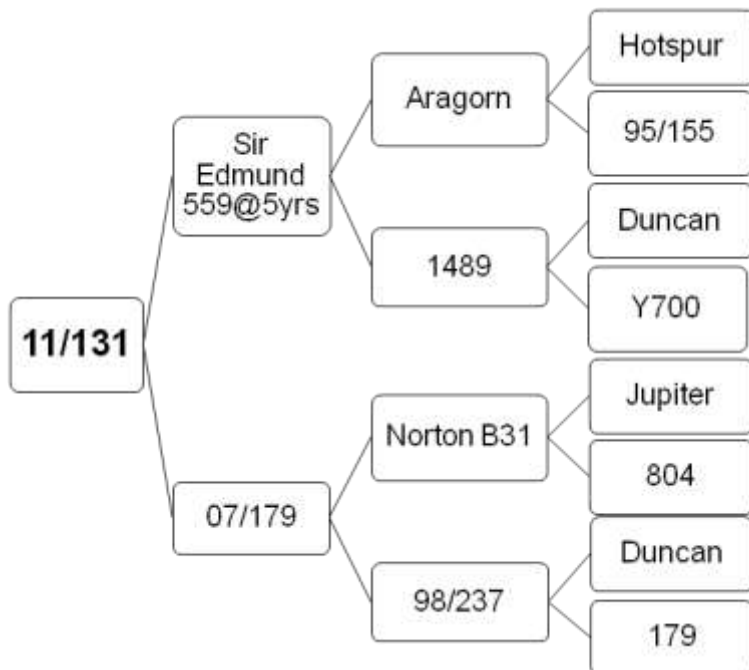
Comments:

Price:

Lot No 5  
Wnr hind

**CANES DEER**  
*Quality Genetics*

Tag No  
11/131



**Weight 28/5/12 53 kg**

A very rare combo. Norton B31 gave outstanding results when used by Stanfield's Bushey Park. Another top Warnham hind.

Purchaser:

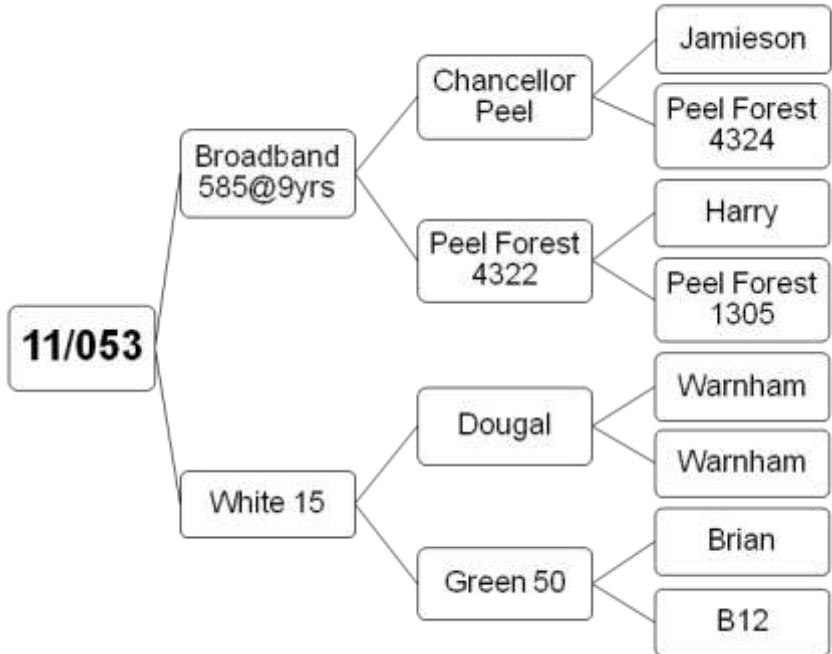
Comments:

Price:

Lot No 6  
Wnr hind

**CANES DEER**  
*Quality Genetics*

Tag No  
11/053



**Weight 29/5/12 56 kg**

This is a full sister to 637 (lot 32 in stag sale 2012)  
He had an extremely heavy beam with 30pts. B12  
was Dick Makgill's top hind, and is also Metallica's  
Grandam

Purchaser:

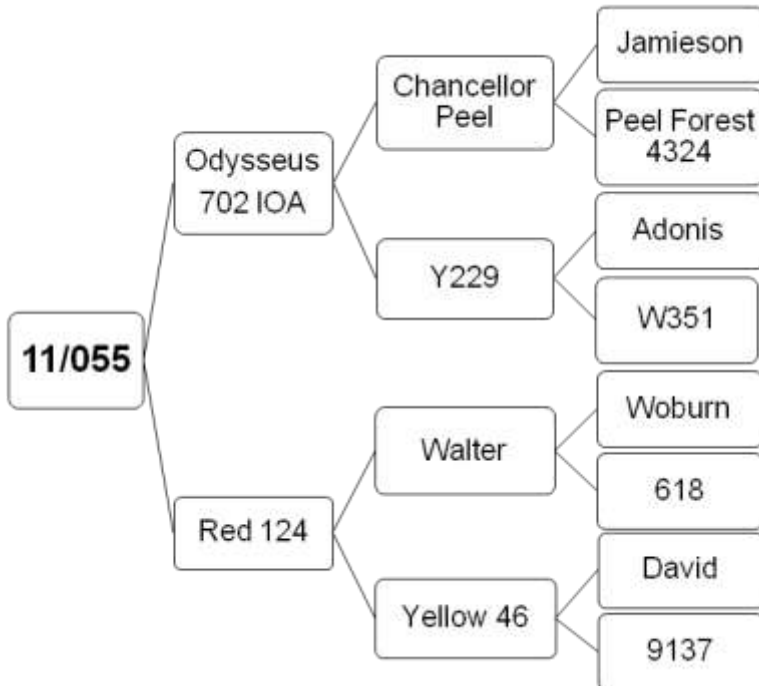
Comments:

Price:

Lot No 7  
Wnr hind

**CANES DEER**  
*Quality Genetics*

Tag No  
11/055



**Weight 29/5/12 61 kg**

Red 124 produced Lot 1 from our 2011 sale, and 3 other 450+ stags for us, one of which had a massive 72" spread. Odysseus should only add to this weaners trophy breeding potential.

Purchaser:

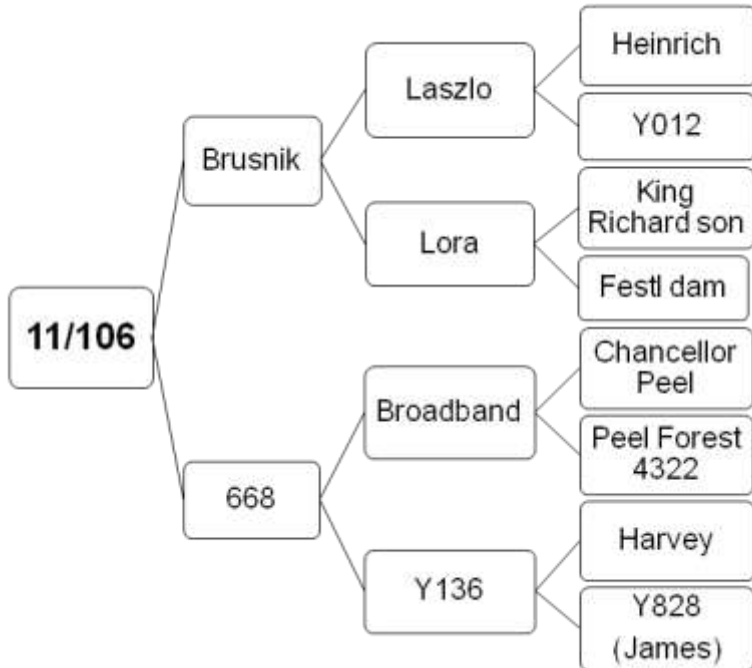
Comments:

Price:

Lot No 8  
Wnr hind

**CANES DEER**  
*Quality Genetics*

Tag No  
11/106



**Weight 29/5/12 62 kg**

668 is a full sister to 7031 (Lot 26 2011stag sale)  
7031 had 30+ points with a heavy beam. Brusnik will  
add width and length.

Purchaser:

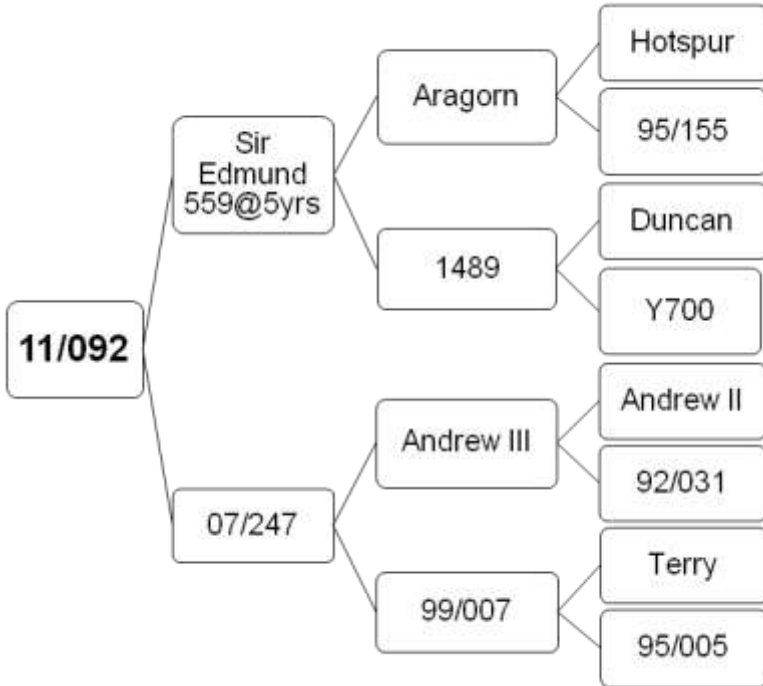
Comments:

Price:

Lot No 9  
Wnr hind

**CANES DEER**  
*Quality Genetics*

Tag No  
11/092



**Weight 29/5/12 60 kg**

A solid bottom line here, and another opportunity to get a Sir Edmund daughter. 007 was a sire producing hind from Standfield's Bushey Park

Purchaser:

Comments:

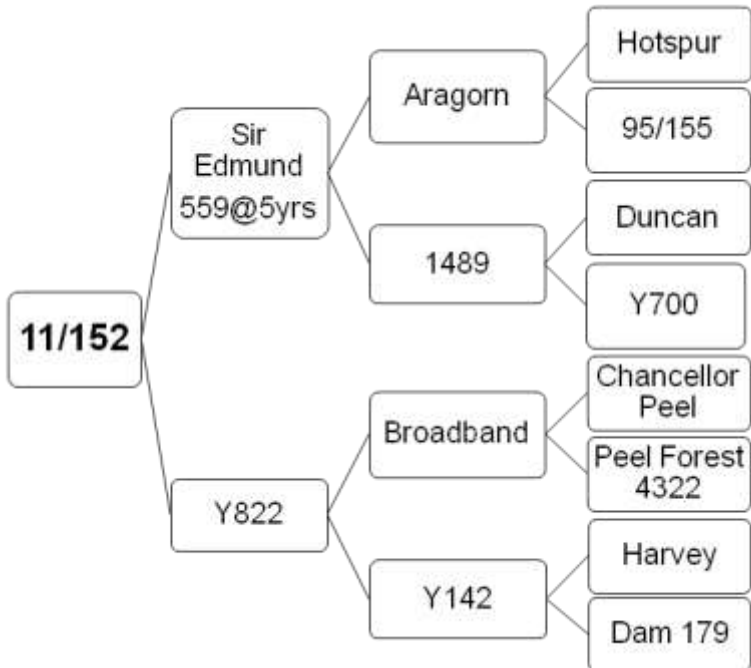
Price:



Lot No10  
Wnr hind

**CANES DEER**  
*Quality Genetics*

Tag No  
11/152



**Weight 29/5/12 58 kg**

Yellow 142 is a full sister to Kane, so includes Harvey's great velvet genetics. Sir Edmund is an amazing stag with a 50+ inch main beam.

Purchaser:

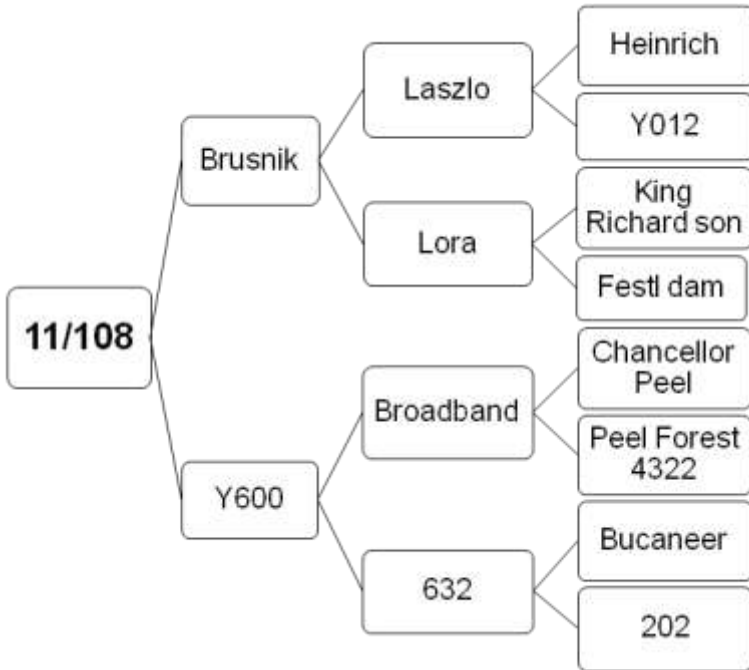
Comments:

Price:

Lot No11  
Wnr hind

**CANES DEER**  
*Quality Genetics*

Tag No  
11/108



**Weight 29/5/12 63 kg**

Brusnik will add main beam length and width to a very proven bottom line. 632 is Grandam of Tower Farms sire Lancaster 500+@4yrs

Purchaser:

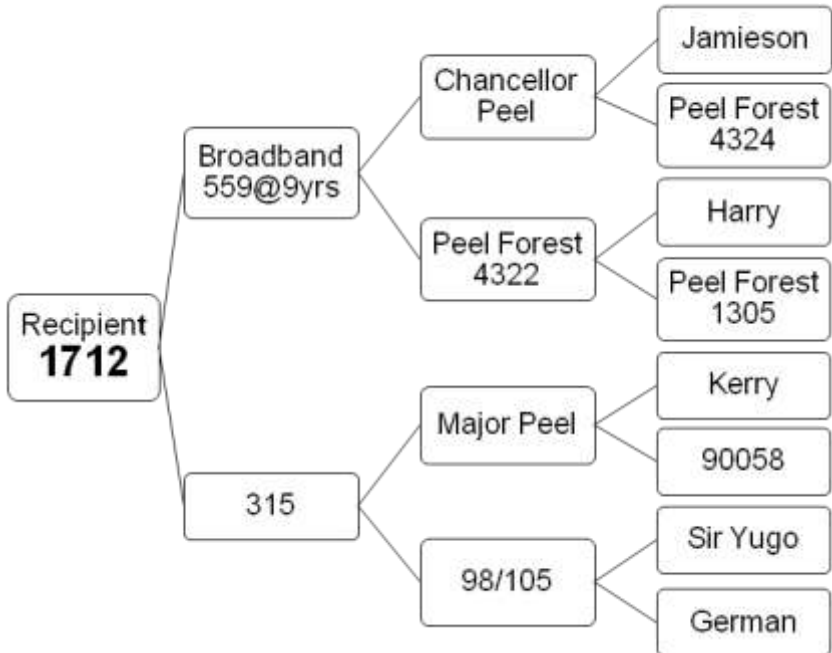
Comments:

Price:

Lot 12  
Embryo

**CANES DEER**  
*Quality Genetics*

Tag No  
1712



315 is dam to Lot 1 in our 2012 stag sale, she consistently produces quality offspring.

Purchaser:

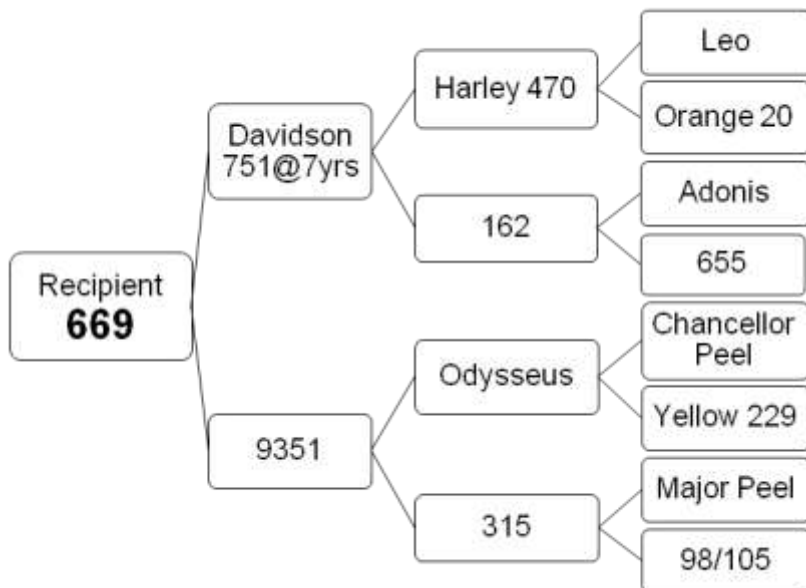
Comments:

Price:

Lot No13  
Embryo

**CANES DEER**  
*Quality Genetics*

Tag No  
669



9351 is an embryo sister to Alan Stewarts stag, (Lot 1 2012 stag sale) Here mated to the phenomenal Davidson. Offspring from the two highest scoring stags in the country in 2012! No need to say more.

Purchaser:

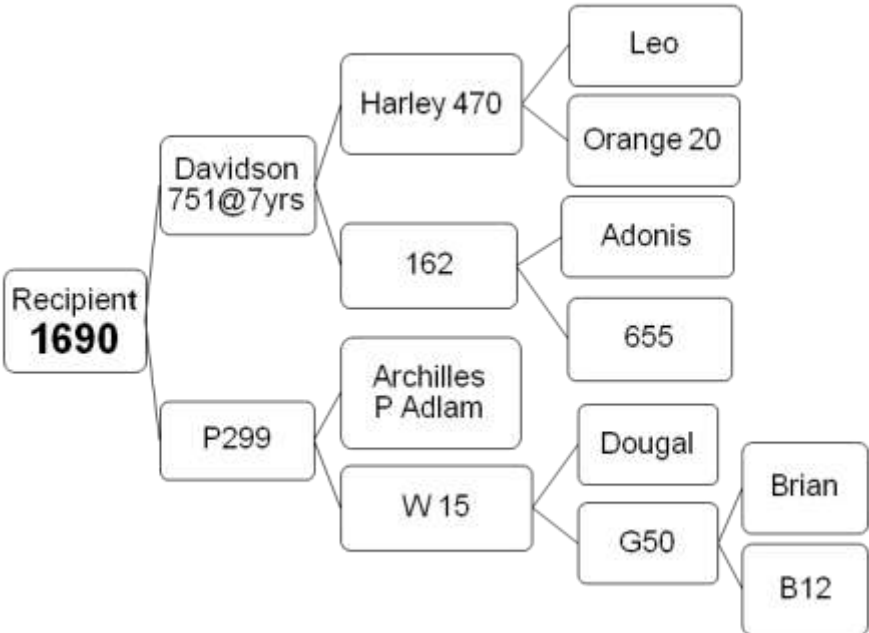
Comments:

Price:

Lot No14  
Embryo

**CANES DEER**  
*Quality Genetics*

Tag No  
1690



P299 has been a top producer for us, and has Metallica's Grandam B12 in her background too. She was the dam of a 500+SCI 6yr old in last year's trophy mob. Davidson adds huge potential.

Purchaser:

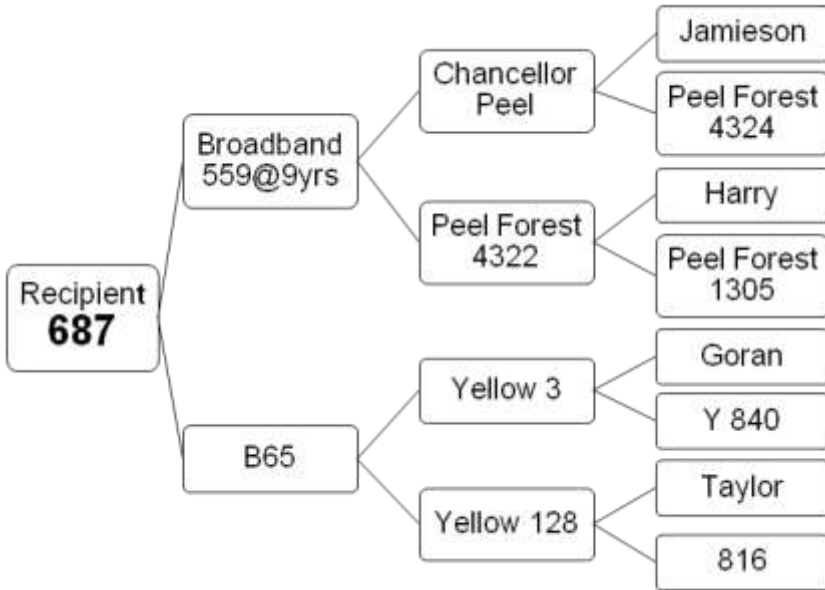
Comments:

Price:

Lot No15  
Embryo

**CANES DEER**  
*Quality Genetics*

Tag No  
687



Full sibling to Lot 13 in 2012 stag sale, purchased by G Mercer for \$10 000. He had excellent wide antler structure, heavy beam and great tops. We really rated this stag so included his dam in our ET program. Yellow 3 has been a favourite sire stag of ours for many years, producing consistent results. Expect a quiet nature.

Purchaser:

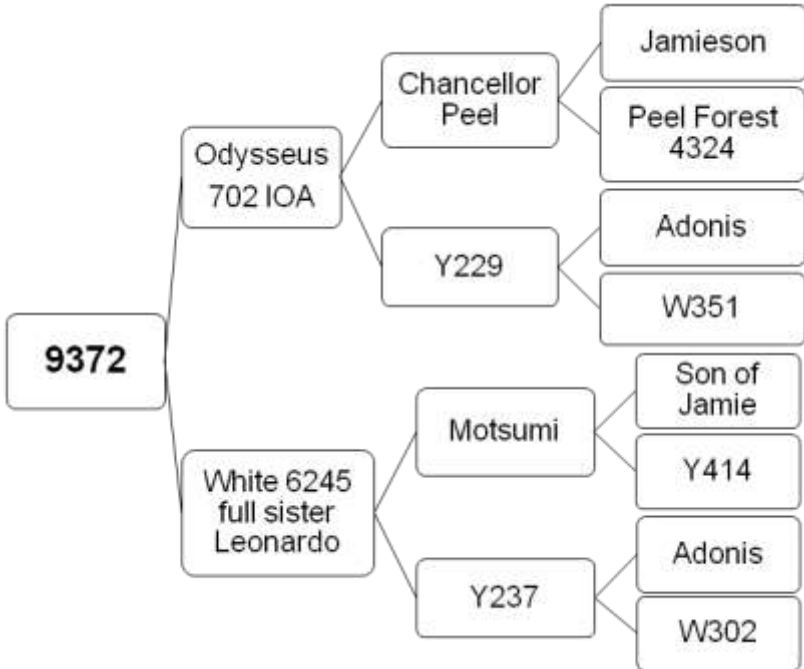
Comments:

Price:

Lot No16  
3 yr hind

**CANES DEER**  
*Quality Genetics*

Tag No  
9372



**Weight 29/5/12 108 kg**

In fawn to Broadband 585 IOA. Leonardo scored 524 IOA @7yrs with long clean antler. A real trophy hind.

Purchaser:

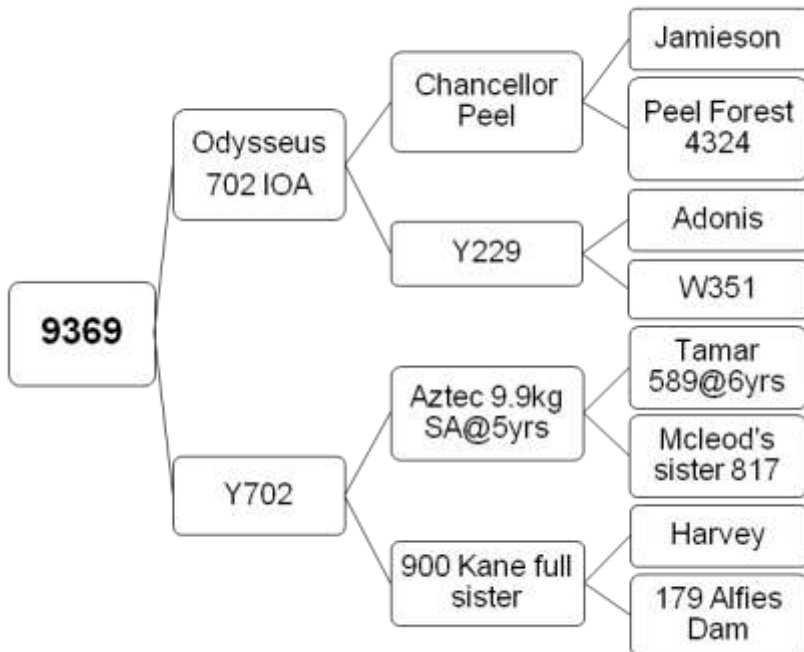
Comments:

Price:

Lot No17  
3 yr hind

**CANES DEER**  
*Quality Genetics*

Tag No  
9369



**Weight 29/5/12 101 kg**

In fawn to Davidson. Amazing combo here. 2 of her embryo brothers had huge 30+ point heads with great length in lower tynes.

Purchaser:

Comments:

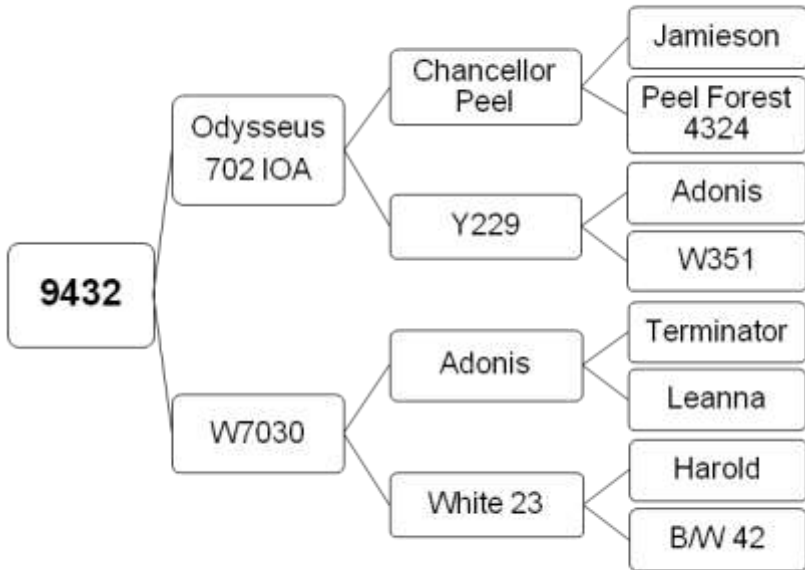
Price:



Lot No18  
3 yr hind

**CANES DEER**  
*Quality Genetics*

Tag No  
9432



**Weight 29/5/12 to be advised**

In fawn to Heathrow. W7030 is a full sister to Spartacus and 7059 (Lot 5 2011 Sale) 7059 had an incredible heavy 14kg head. Odysseus over 7030 and then in fawn to Heathrow should be something special.

Purchaser:

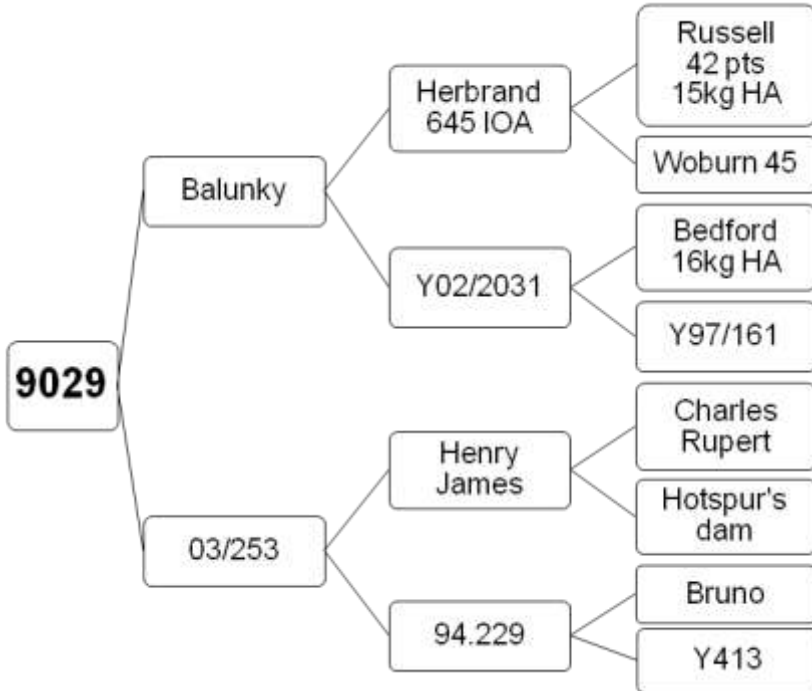
Comments:

Price:

Lot No19  
3 yr hind

**CANES DEER**  
*Quality Genetics*

Tag No  
9029



**Weight 29/5/12 103 kg**

In fawn to Matthew. 03/253 produced Hawkeye, Lot 1 at Stanfield's 2010 sale who sold for \$87 000. Henry James is renowned for leaving heavy antler and Balunky adds to this with 3 yr sons last year producing in excess of 15kg HA . This is a top hind, and Matthew with his heavy wide antler can only add value.

Purchaser:

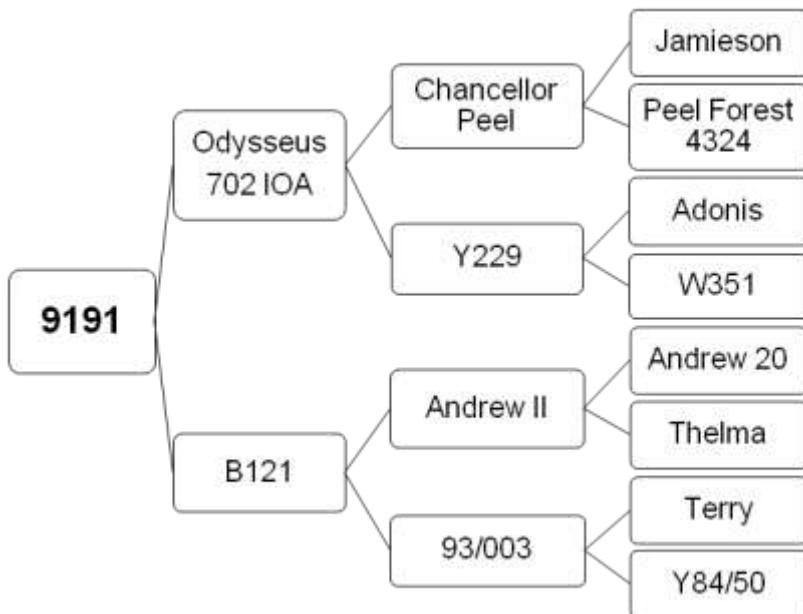
Comments:

Price:

Lot No20  
3 yr hind

**CANES DEER**  
*Quality Genetics*

Tag No  
9191



**Weight 29/5/12 113 kg**

In fawn to Matthew. Solid Stanfield breeding on the bottom line. B121 was purchased from Sarnia. Her first son by Banks scored 475 IOA @ 6yrs.

Purchaser:

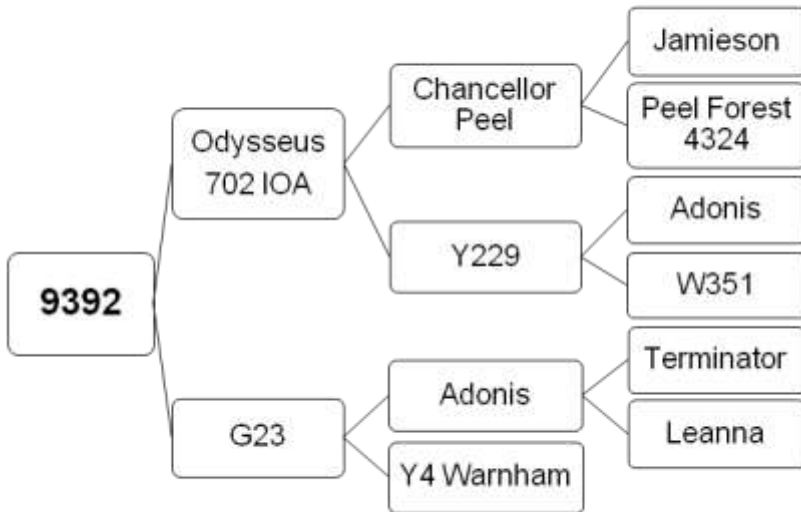
Comments:

Price:

Lot No21  
3 yr hind

**CANES DEER**  
*Quality Genetics*

Tag No  
9392



**Weight 29/5/12 115 kg**

In fawn to Broadband. G 23 has produced some great stags, her last son to be trophied was R9546 with a super wide head scoring 476 SCI

Purchaser:

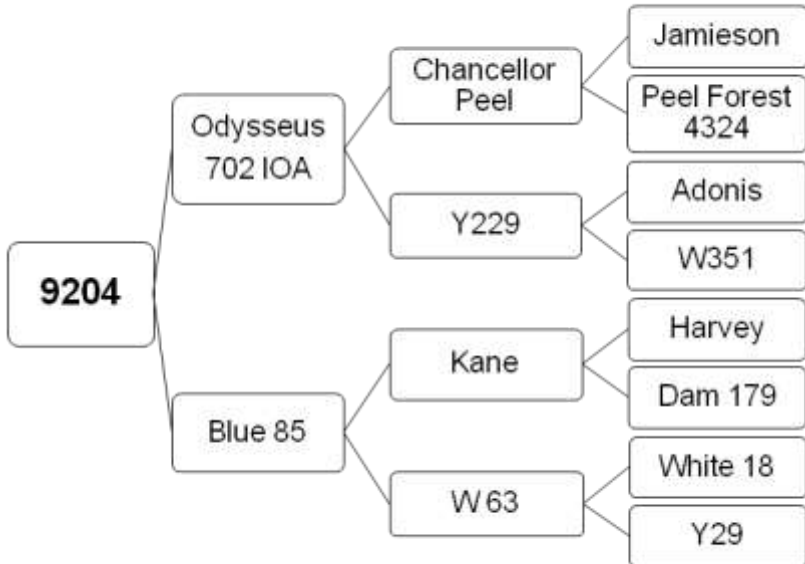
Comments:

Price:

Lot No22  
3 yr hind

**CANES DEER**  
*Quality Genetics*

Tag No  
9204



**Weight 29/5/12 106 kg**

W63 is a proven dam for us having sired 3 450+stags. With both Kane and Odysseus in the mix and in fawn to Broadband this should be a goodie.

Purchaser:

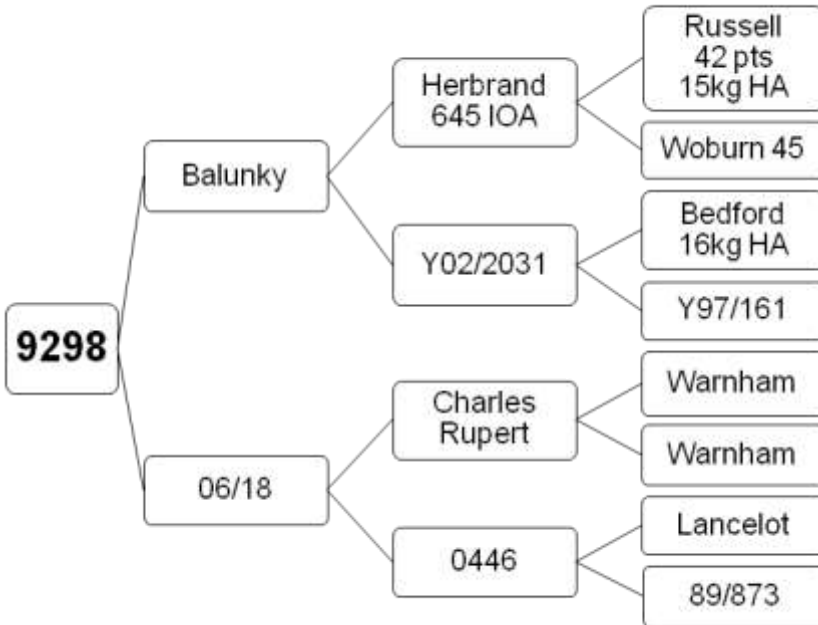
Comments:

Price:

Lot No23  
3 yr hind

**CANES DEER**  
*Quality Genetics*

Tag No  
9298



**Weight 29/5/12 107 kg**

In fawn to Matthew. A top Warnham/Woburn cross. 0446 was purchased from Sarnia and produced one of Bob's best ever spikers. Balunky leaves very heavy beam with multi tops. A full sister to 06/18, dam of Lot 41 2012 sale who was retained as a sire.

Purchaser:

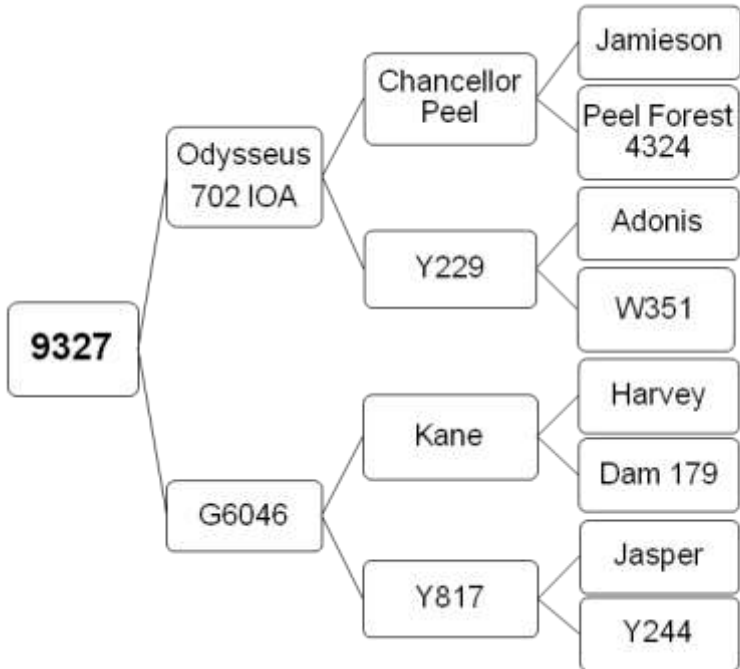
Comments:

Price:

Lot No24  
3 yr hind

**CANES DEER**  
*Quality Genetics*

Tag No  
9327



**Weight 29/5/12 101 kg**

In fawn to Broadband. 9327 had 4 embryo brothers in our top 2 yr mob last year.

Purchaser:

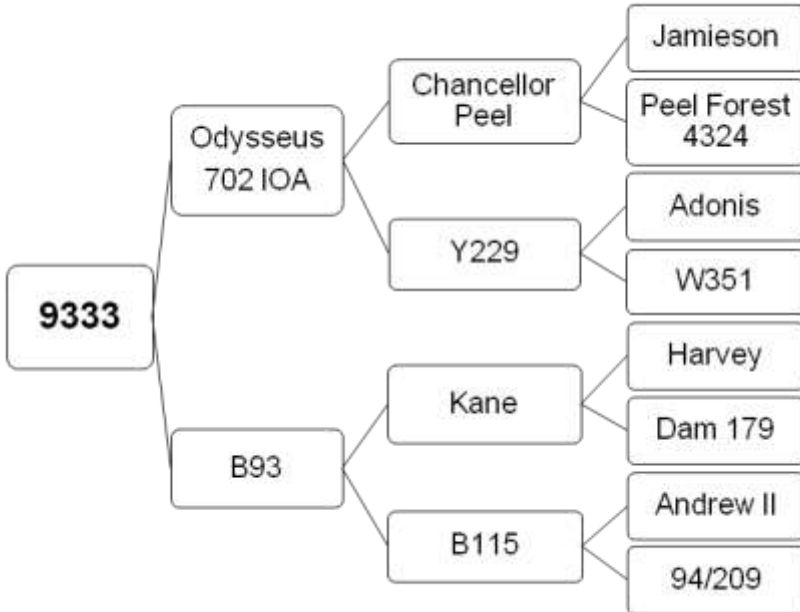
Comments:

Price:

Lot No25  
3 yr hind

**CANES DEER**  
*Quality Genetics*

Tag No  
9333



**Weight 29/5/12 109 kg**

In fawn to Matthew. A Warnham/Woburn bottom line spiced up with Odysseus and Mathew.

Purchaser:

Comments:

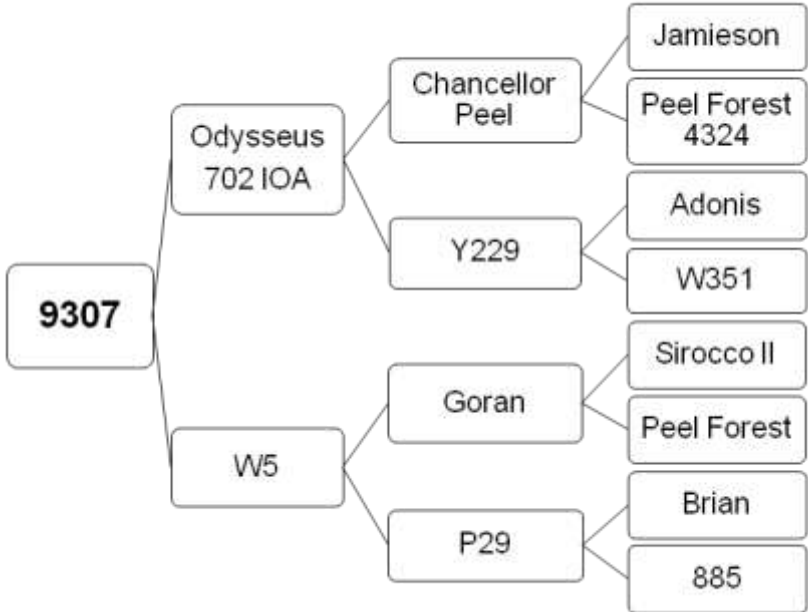
Price:



Lot No26  
3 yr hind

**CANES DEER**  
*Quality Genetics*

Tag No  
9307



**Weight 29/5/12 110 kg**

In fawn to Broadband. We purchased W5 from Dick Magkill, she has been very good to us. Her last son scored 468 IOA @ 4 yrs

Purchaser:

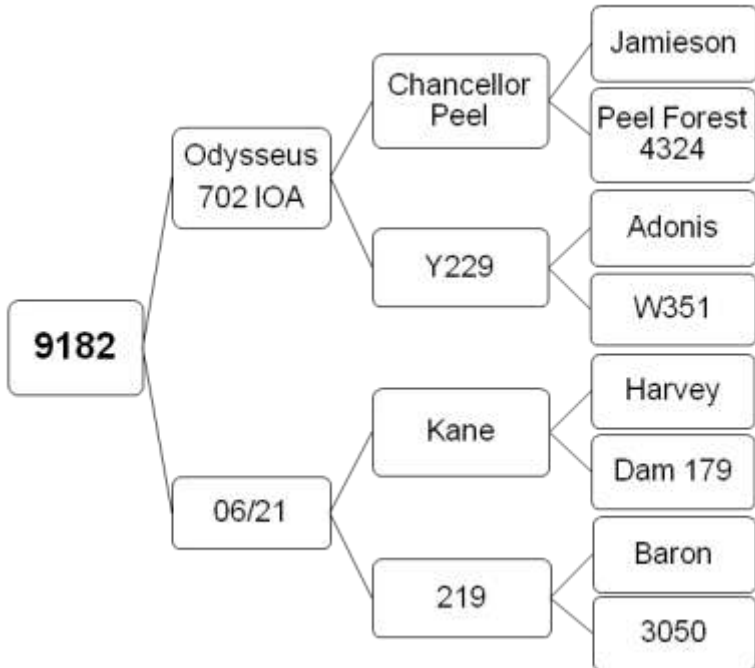
Comments:

Price:

Lot No27  
3 yr hind

**CANES DEER**  
*Quality Genetics*

Tag No  
9182



**Weight 29/5/12 112 kg**

In fawn to Matthew. 06/21 has produced several very promising stags. 219 is a hind bred by Tower Farms.

Purchaser:

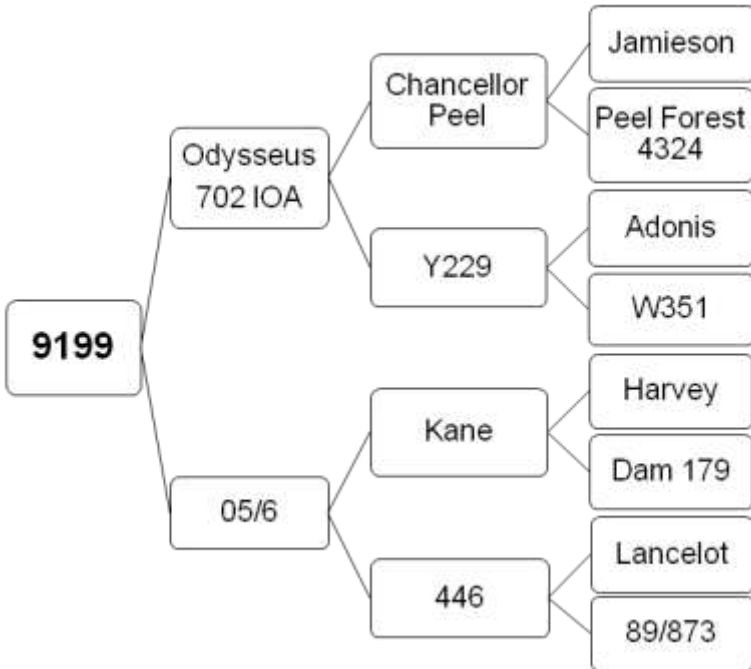
Comments:

Price:

Lot No28  
3 yr hind

**CANES DEER**  
*Quality Genetics*

Tag No  
9199



**Weight 29/5/12 95 kg**

In fawn to Matthew. We have not had any male offspring from 05/6 as yet but 0446 is a top Warnham hind that has produced well for both Bob atkinson and us.

Purchaser:

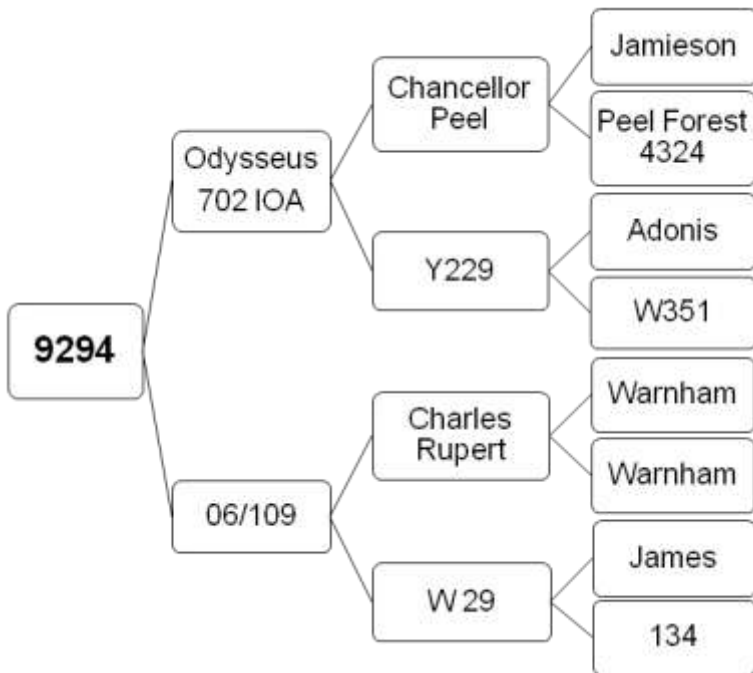
Comments:

Price:

Lot No29  
3 yr hind

**CANES DEER**  
*Quality Genetics*

Tag No  
9294



**Weight 29/5/12 115 kg**

In fawn to Matthew. Again a solid Warnham bottom line. Charles Rupert sill rates as having one of the most attractive sets of trophy antlers.

Purchaser:

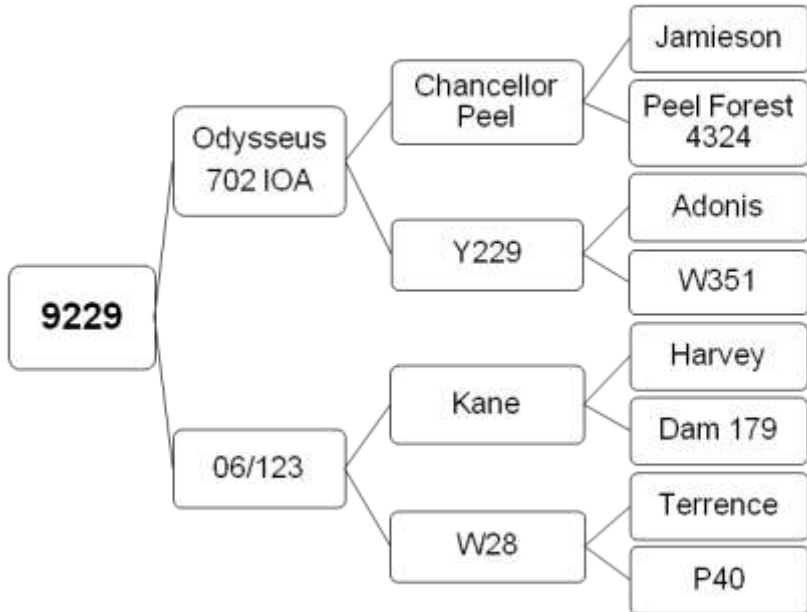
Comments:

Price:

Lot No30  
3 yr hind

**CANES DEER**  
*Quality Genetics*

Tag No  
9229



**Weight 29/5/12 124 kg**

In fawn to Matthew. 06/123 has a top Warnham / Woburn pedigree. Odysseus' overall tyne length will only add to this hinds potential.

Purchaser:

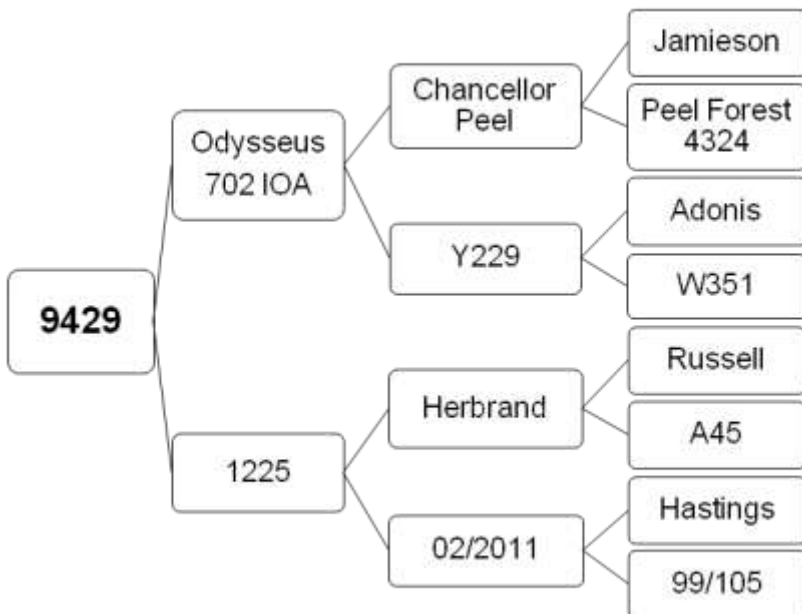
Comments:

Price:

Lot No31  
3 yr hind

**CANES DEER**  
*Quality Genetics*

Tag No  
9429



**Weight 29/5/12 101 kg**

In fawn to Matthew. Odysseus seems to cross very well over pure Woburn hinds. With Odysseus over Herbrand and back in fawn to Matthew I would expect great things.

Purchaser:

Comments:

Price:

Lot Nos  
32-35

**CANES DEER**  
*Quality Genetics*

Semen

## Semen Sales – Broadband

Lot 32 5 straws  
Lot 33 5 straws

Lot 34 5 straws  
Lot 35 5 straws

Broadband has been sold as a trophy this year and it was certainly sad to see him go, we had grown very fond of him and his quiet gentle nature. We are offering 20 straws of semen, and this will be the last chance to purchase it by auction. See sire reference page for more information on Broadband.



# Canes Deer Velvet



We have been producing Canes Deer Velvet for 13 years now and proudly send our product around New Zealand and to many corners of the world. You will not find our velvet to be the cheapest on the market, and this is a reflection on what goes into it. Our motto - "Canes Care about Quality"

## Special Offer

Canes Deer Velvet Capsules will be available for sale at a 15% discount on Sale day. In addition we'd like to offer ALL those who attend on Sale Day GOLD status on our loyalty programme, which entitles you to a 15% discount on ALL future orders. Simply register your name and email address on the green clipboard if you'd like to take up this offer, or alternatively phone or email Kathy or Malcolm. All those who make a purchase will automatically be registered for this discount.

Ph 0800 TO CANES (862 263)

info@canesdeervelvet.com

**www.canesdeervelvet.com**